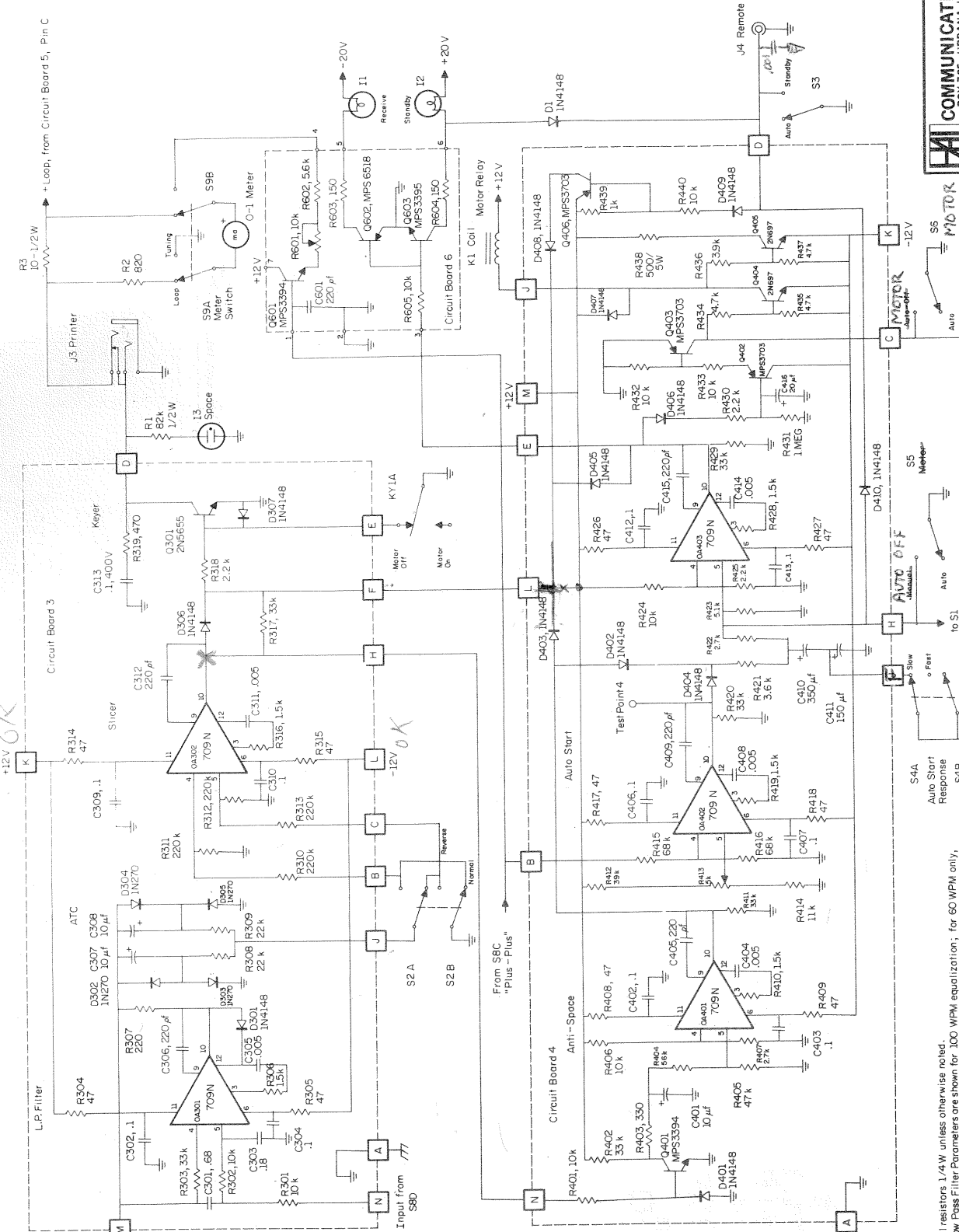


- Notes:**
1. All resistors 1/4 W unless otherwise noted.
 2. Capacitors designated with a letter suffix (e.g., C102A, C151A, etc.) are additional circuit board locations to assist in tuning filters.
 3. Capacitor C154 is not used.
 4. Low Pass Filter parameters are shown for 100 WPM equalization; for 60 WPM only, change C206 to C203, μ fd & C256 to C202, μ fd. (See Manual)
 5. Frequencies indicated for input filter sections are tuning frequencies when other sections are shorted. (See Manual)
 6. See "Three-Shift Modification" diagram for changes to include three discriminators.
 7. Component Numbering System:
 X001 - X029, Main Frame
 X030 - X059, Circuit Board 1-850
 X060 - X089, Circuit Board 1-170
 X090 - X119, Circuit Board 2-850
 X120 - X149, Circuit Board 2-170
 X150 - X179, Circuit Board 2-850
 X180 - X209, Circuit Board 2-170

COMMUNICATIONS CORP.
 BOX 365, URBANA, ILLINOIS, 61801

ST-6 Demodulator
 Circuit Boards 1 and 2

DATE July 24, 1972 SCALE _____
 APPROVED _____ No. ST-6, SI

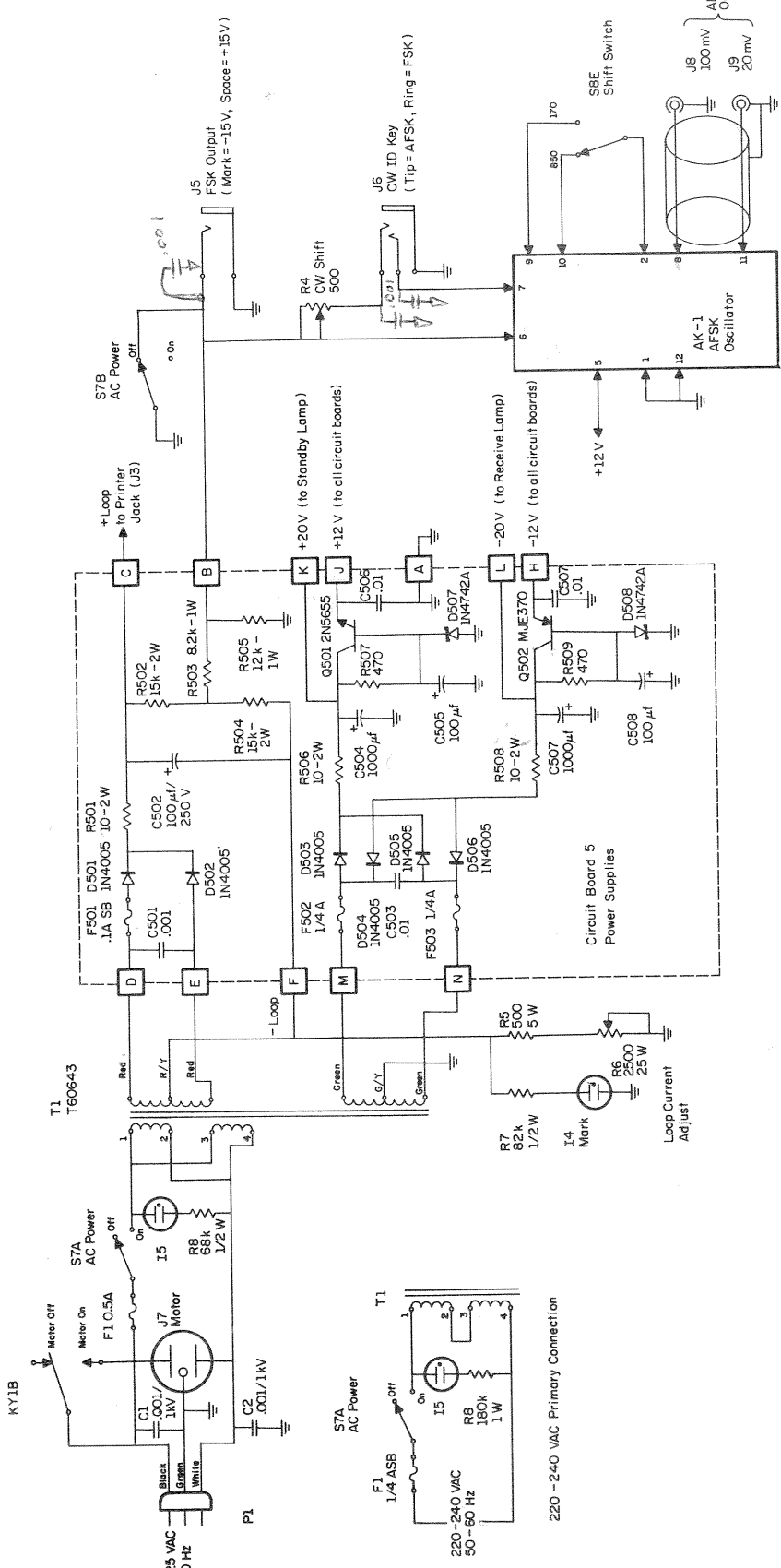


COMMUNICATIONS CORP.
 BOX 365, URBANA, ILLINOIS, 61801

ST-6 Demodulator
 Circuit Boards 3, 4, and 6

DATE: JULY 15, 1972 SCALE: _____
 APPROVED: G. W. F. ST-6, S2

- NOTES:**
- All resistors 1/4W unless otherwise noted.
 - Low Pass Filter Parameters are shown for 100 WPM equalization; for 60 WPM only, change R301 & R302 to 15k.
 - Component Numbering System:
 X001 - X099, Main Frame
 X301 - X399, Circuit Board 3
 X401 - X499, Circuit Board 4
 X601 - X699, Circuit Board 6



- Notes:**
1. All resistors 1/4 W unless otherwise noted.
 2. Resistor R6 dissipates 9 Watts under Mark conditions and should be heat-sunk by mounting on metallic panel.
 3. I-3, I-4, & I-5 are NE-2 type neon lamps.
 4. Component Numbering System:
X001 - X099, Main Frame
X501 - X599, Circuit Board 5

COMMUNICATIONS CORP.
BOX 365, URBANA, ILLINOIS, 61801

ST-6 Demodulator
Circuit Board 5

DATE: JULY 8, 1972
SCALE: _____
APPROVED: _____

No. ST-6, S3

