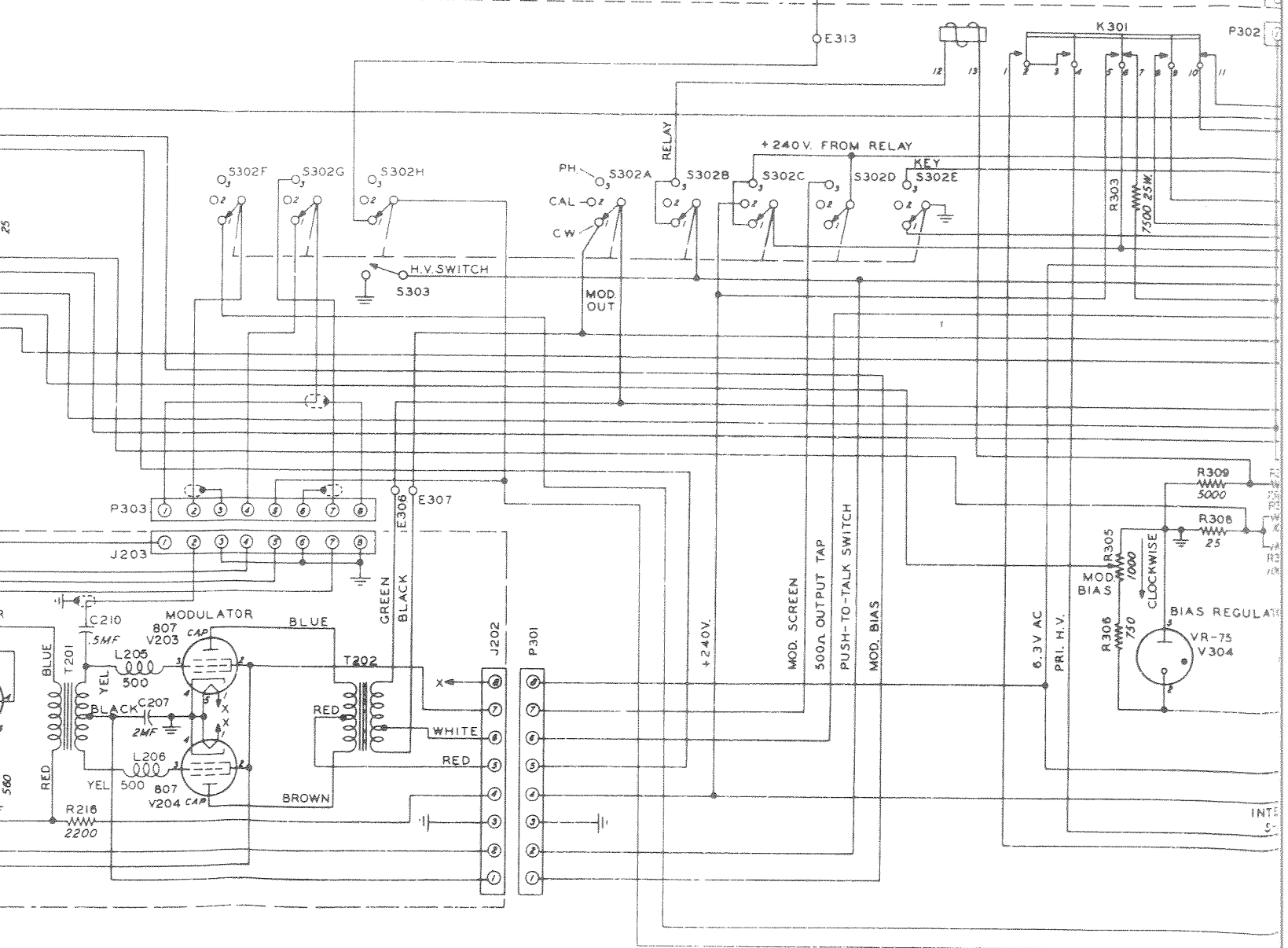
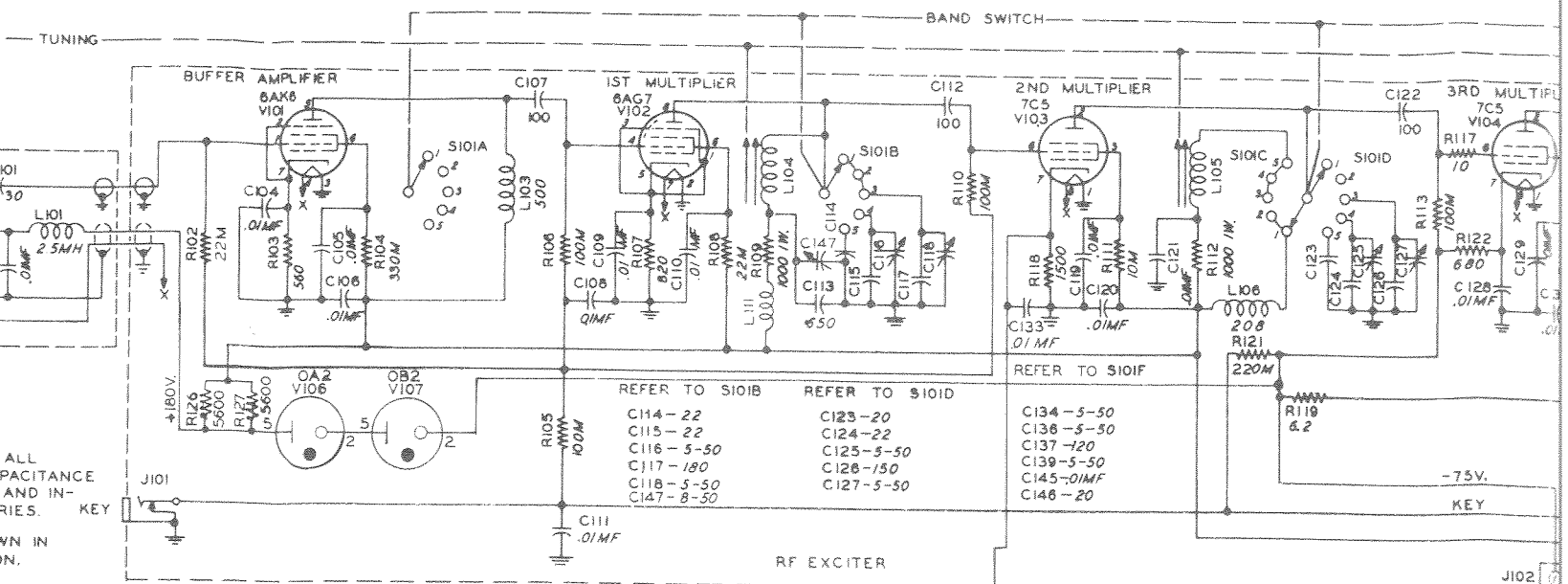
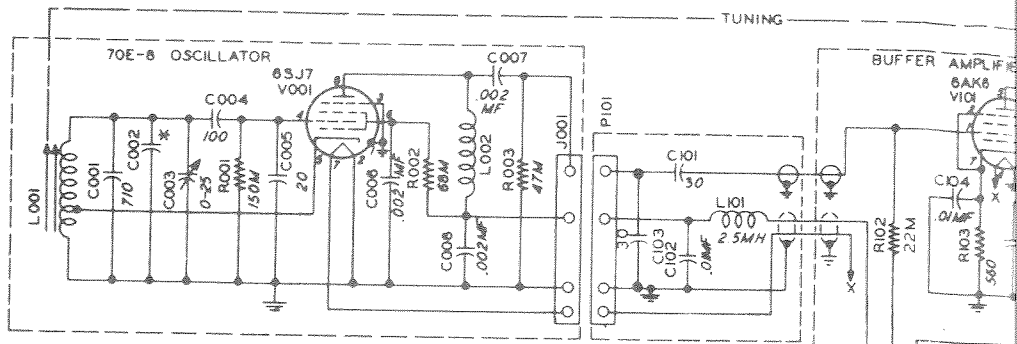


Figure 5-8. Model 32V-2 Complete Schematic Diagram 5-13/5-14

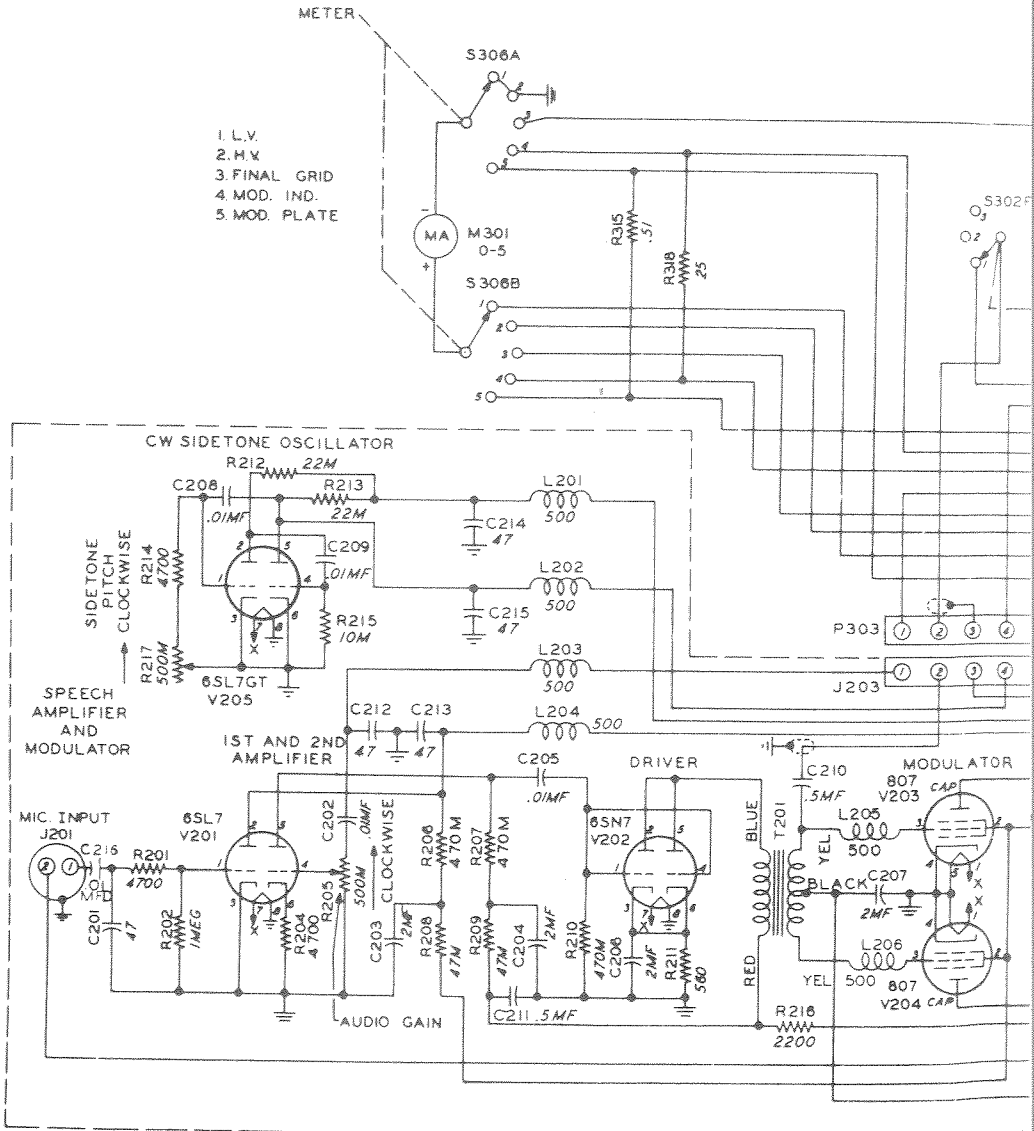




* THE VALUE OF CAPACITOR C002 IS CHOSEN TO FULFILL THE REQUIREMENTS OF THE INDIVIDUAL OSCILLATOR

NOTE: M=1000
 NOTE: UNLESS OTHERWISE INDICATED, ALL RESISTANCE VALUES ARE IN OHMS, CAPACITANCE VALUES ARE IN MICROMICROFARADS, AND INDUCTANCE VALUES ARE IN MICROHENRIES. KEY

NOTE: ALL TAP SWITCHES ARE SHOWN IN EXTREME COUNTERCLOCKWISE POSITION.



- 1. L.V.
- 2. H.V.
- 3. FINAL GRID
- 4. MOD. IND.
- 5. MOD. PLATE

